

Project

Date

Models

I-PRO 2M
I-PRO 2M light panel
I-PRO 2E
I-PRO 2E light panel

Item#

Quantity



model I-PRO 2M
with light panel



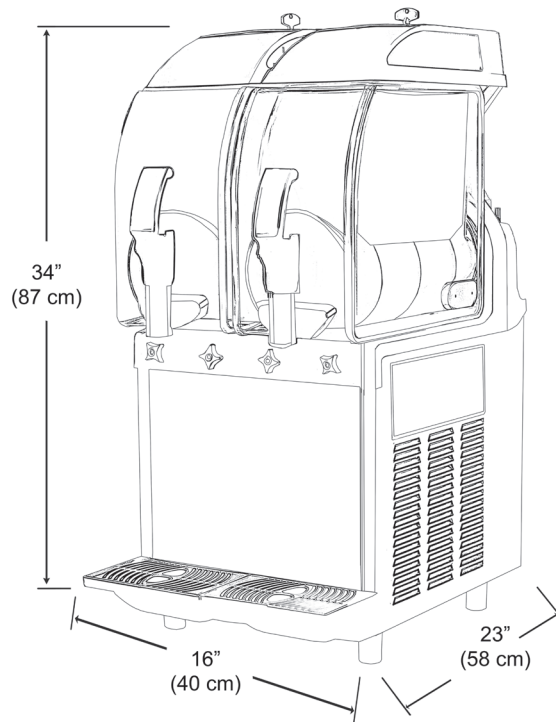
model I-PRO 2E

FEATURES

- Most advanced professional slush, sorbet, and granita machine in the world. High performance, ultramodern design, and user-friendly.
- (2) 2.9 gallon (11 L) insulated bowls with either mechanical or electronic control board and timer, and optional light panel.
- Insulating technology increases cooling power, saves energy and money, and reduces external condensation.
- Transparent bowl encourages impulse purchasing.
- Manual defrost mode.
- Efficient safety mechanism is activated when cover is lifted. All moving parts automatically and immediately stop.
- Lockable lid.
- Adjustable product consistency.
- Perfect solution for restaurants, coffee shops, bars, amusement parks, convenience stores, kiosks, and much more.
- All models are certified NSF-6 safe for milk.



I-PRO 2 FROZEN GRANITA DISPENSERS



model I-PRO 2E

NSF-6



MODELS & SPECIFICATIONS

Model	Description	Electrical	Product Dimensions (H x W x D)	Ship Dimensions (H x W x D)	Product Weight	Ship Weight
I-PRO 2M (1206-000)	(2) 2.9 gallon (11 L) insulated bowls, Mechanical control and timer, black finish	115V / 60 Hz 0.975 kW / 10A / 1 Ph	34" x 16" x 23" (87 cm x 40 cm x 58 cm)	36" x 17" x 23" (92 cm x 44 cm x 58 cm)	132 lbs. (60 kg)	141 lbs. (64 kg)
I-PRO 2M light panel (1206-001)	(2) 2.9 gallon (11 L) insulated bowls, Mechanical control and timer, lighted panel, black finish	115V / 60 Hz 0.975 kW / 10A / 1 Ph	34" x 16" x 23" (87 cm x 40 cm x 58 cm)	36" x 17" x 23" (92 cm x 44 cm x 58 cm)	132 lbs. (60 kg)	141 lbs. (64 kg)
I-PRO 2E (1206-002)	(2) 2.9 gallon (11 L) insulated bowls, Electronic control and timer, black finish	115V / 60 Hz 0.93 kW / 9.4 A / 1 Ph	34" x 16" x 23" (87 cm x 40 cm x 58 cm)	36" x 17" x 23" (92 cm x 44 cm x 58 cm)	132 lbs. (60 kg)	141 lbs. (64 kg)
I-PRO 2E light panel (1206-003)	(2) 2.9 gallon (11 L) insulated bowls, Electronic control and timer, lighted panel, black finish	115V / 60 Hz 0.93 kW / 9.4 A / 1 Ph	34" x 16" x 23" (87 cm x 40 cm x 58 cm)	36" x 17" x 23" (92 cm x 44 cm x 58 cm)	132 lbs. (60 kg)	141 lbs. (64 kg)

Refrigeration: R404

Note: Operate at room temperature between 75 - 90° F (24 and 32° C).

Note: Clearance of 8" (20 cm) required on all sides.

Note: Mixture must maintain a sugar content near 14%.

A lower concentration could seriously damage the mixing parts and gear motors.