

# CLASSIC BUBBLERS™ DOUBLE BOWL

---

Project	Date	Models	Item#	Quantity
---------	------	--------	-------	----------

D25-3, D25-4, D255-3, D255-4,  
D256-3, D256-4



model D25-4

---

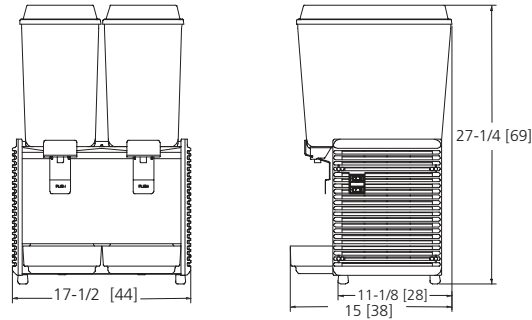
## Features

- Pre-mix dispenser with superior engineering allows full beverage cooling right down to the last drink.
- Two-piece, stainless steel, dripless pouring valves are sanitary and easy to use and maintain.
- Better design and more stainless steel allow easier cleaning and less maintenance.
- Two large, 5 gallon (18.9 L) bowls with easy-to-read measuring marks, are separate to allow bowl cleaning and flavor changes without "total system shut-down."
- Super-strong, virtually unbreakable polycarbonate bowls and covers give lasting durability.
- Unique evaporator and high efficiency pump cools faster and more efficiently for quick start-up.
- Agitators are included with each unit for fresh juices, coffees, or teas.
- 1/5 hp refrigeration.
- Cup height 8.25" (20.5 cm).

# Models & Dimensions



## Classic Bubblers™ Double Bowl



model D25 represented  
measurements in inches [cm]

## Specifications

Model	Description	Electrical	Product Dimensions (H x W x D)	Ship Dimensions - two boxes (H x W x D)	Ship Weight
<b>D25-3</b> Base: (5507) Bowl: (5112)	Stainless steel side panels and drip tray <b>UL, NSF, CUL Certification</b>	120V / 660W / 6A 1Ph	27.25" x 17.5" x 15" (69 cm x 44 cm x 38 cm)	Base: 16.25" x 20.75" x 13.5" (41 cm x 53 cm x 34 cm) Bowl: 22.5" x 15.5" x 8.5" (57 cm x 39 cm x 22 cm)	77 lbs (base: 60, bowls: 17) 34.9 kg (base: 27, bowls: 8)
<b>D25-4</b> Base: (5508) Bowl: (5122)	Plastic side panels and drip tray <b>UL, NSF, CUL Certification</b>	120V / 660W / 6A 1Ph	27.25" x 17.5" x 15" (69 cm x 44 cm x 38 cm)	Base: 16.25" x 20.75" x 13.5" (41 cm x 53 cm x 34 cm) Bowl: 22.5" x 15.5" x 8.5" (57 cm x 39 cm x 22 cm)	77 lbs (base: 60, bowls: 17) 34.9 kg (base: 27, bowls: 8)
<b>D255*</b>	<b>NSF, CE Certification</b>	230V / 50Hz / 2.7A	27.25" x 17.5" x 15" (69 cm x 44 cm x 38 cm)	Base: 16.25" x 20.75" x 13.5" (41 cm x 53 cm x 34 cm) Bowl: 22.5" x 15.5" x 8.5" (57 cm x 39 cm x 22 cm)	77 lbs (base: 60, bowls: 17) 34.9 kg (base: 27, bowls: 8)
<b>D256**</b>	<b>NSF, CE Certification</b>	230V / 60Hz / 2.7A	27.25" x 17.5" x 15" (69 cm x 44 cm x 38 cm)	Base: 16.25" x 20.75" x 13.5" (41 cm x 53 cm x 34 cm) Bowl: 22.5" x 15.5" x 8.5" (57 cm x 39 cm x 22 cm)	77 lbs (base: 60, bowls: 17) 34.9 kg (base: 27, bowls: 8)

\* (D255-3) = Stainless steel side panels and drip tray (D255- 4) = Plastic side panels and drip tray  
 \*\* (D256-3) = Stainless steel side panels and drip tray (D256- 4) = Plastic side panels and drip tray  
 Refrigerant: 134A

### Options

**Valve Cap (2039)** - Improves sealing of valve when using pulpy product

**Valve Locking Box (2502)** - Secures the valve from dispensing during off-hours - not to be used with non-contact handle

**Liquid Auto Fill (90295)** - Ensures proper product and mixing consistency, eliminates need for frequent manual mixing

**Shipboard Kit (5925)** - Makes unit safer for installation aboard marine vessel; only available for use with agitator

**Milk Fat Impellers (1161M Lg Blue or 1008M Sm Red)** - Use with milk-based products, and/or products with heavy pulp

**Condensation Cover (3657)** - Direct and conceal condensation in high humidity or outdoor locations

**Security Kit (2510)** - Use with D25 models



GMCW™ 4003 Collins Lane, Louisville, KY 40245 USA

Tel: +1.502.425.4776 / 800.695.4500 (USA & Canada only) • Fax: +1.502.425.4664 • www.gmcw.com • Email: info@gmcw.com