



Project \_\_\_\_\_

Item No. \_\_\_\_\_

Quantity \_\_\_\_\_

## SOLSTICE Gas (SG) Series Single Standalone SG14, 14R, 14T, 18 Fryer



**SG14R**  
With optional  
Stainless tank

**SG14T Twin  
Tank**

**SG18**  
With optional  
caters

**SG14**

### APPLICATION

For High Production Gas single Economy frying specify Pitco Solstice Gas Models SG14, 14R, 14T or SG18 tube fryers with the patented Solstice Burner Technology. The dependable blower free atmospheric heating system provides fast recovery to cook a variety of food products. The Solstice gas fryer comes standard with a millivolt thermostat with a thermo-safety pilot, high temperature safety limit switch. The unique Solstice burner and baffle design increases cooking production, lowers flue temperature and improves working environment compared to previous models.

### MODELS AVAILABLE

- SG14** (40-50 lbs, 14 x14" fry area, 110 Kbtu/hr)
- SG14R** (40-50 lbs, 14 x14" fry area, 122 Kbtu/hr)
- SG14T** (20-25 lbs, 7 x14", 50 Kbtu/hr per side for *this twin tank, 100 Kbtu/hr total*)
- SG18** (70-90 lbs, 18 x 18" fry area, 140Kbtu/hr)

### STANDARD FRYER FEATURES & ACCESSORIES

- Tank - stainless steel construction
- Cabinet - stainless front, door and sides
- Solstice Burner Technology, No blower or ceramics
- Millivolt Thermostat (T-Stat)  
200°F-400°F (190°C-93°C CE)
- Thermo-Safety pilot with built in regulator.
- High Temperature safety limit switch
- Heavy duty 3/16" bottom door hinge
- 1 ¼" (3.2 cm) Full port drain valve for fast draining
- Separate Manual gas shutoffs, for front servicing
- Integrated flue deflector
- 9"(22.9cm) adjustable legs, easier access to clean
- Tube rack, allows crumbs & debris into cool zone
- Removable basket hanger, requires no tools
- Drain Line Clean out rod
- Drain extension
- Fryer cleaner sample packet
- Choice of basket options :
  - 2-Twin Baskets
  - 1-Full Basket (not available on 14T)

### ACCESSORIES (AT ADDITIONAL COST)

- Stainless Steel back
- 9" (22.9 cm) adjustable, non locking rear & front locking casters
- Flexible gas hose with disconnect and restraining cable
- Tank cover
- 3-Triple Baskets (not available on 14T)

SOLSTICE GAS (SG) Series Single Economy SG14, 14R, 14T, 18 Fryer



Pitco Frialator, Inc • P.O. Box 501, Concord, NH 03302-0501 • 553 Route 3A, Bow, NH 03304

603-225-6684 • FAX: 603-225-8497 • [www.pitco.com](http://www.pitco.com)

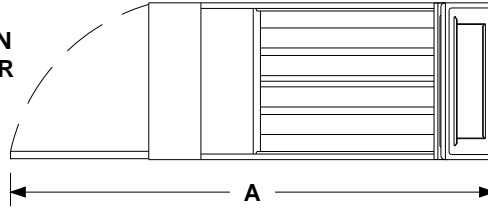
L10-293 Rev 2 04/19

Printed in the USA

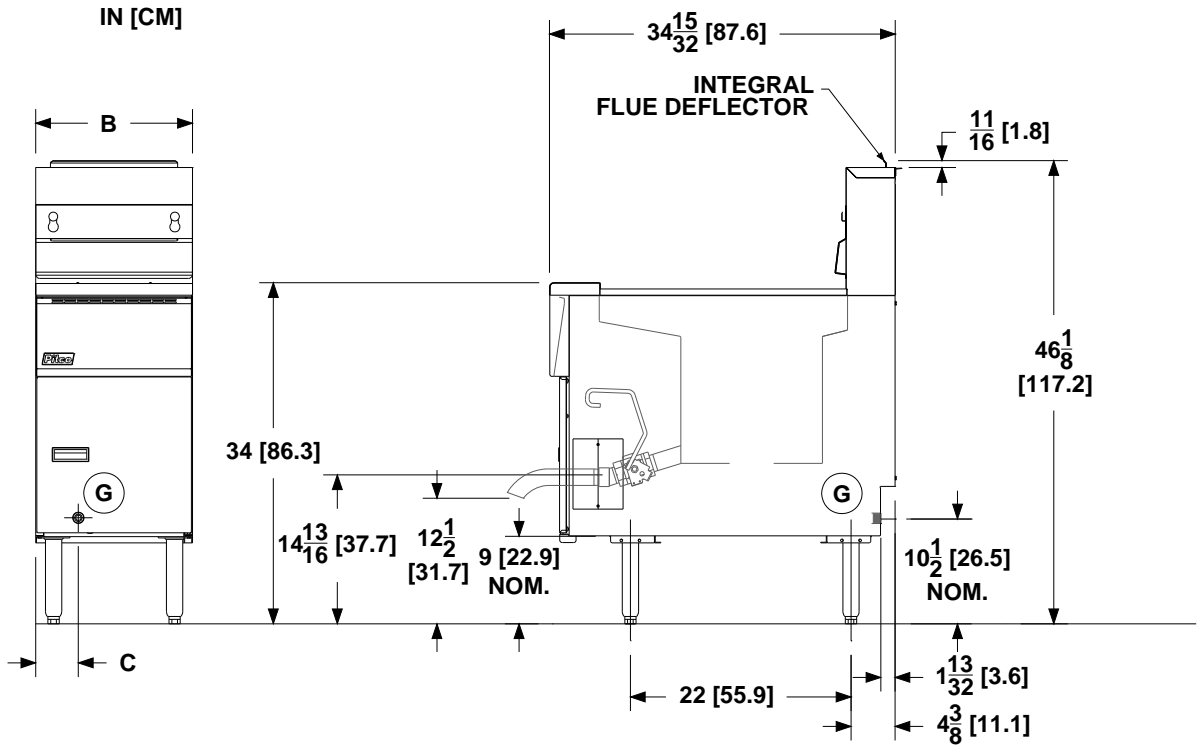
# SOLSTICE GAS (SG) Series Single Standalone SG14, 14R, 14T, 18 Fryer

SOLSTICE GAS (SG) Series Single Standalone SG14, 14R, 14T, 18 Fryer

ⓐ 3/4 INCH GAS CONNECTION  
(CE 3/4 INCH BSP ADAPTOR  
ADDS 1 1/2 [3.8] TO  
CONNECTION)



	SG14 (R) SG14T	SG18
A	48 5/16 [122.8]	52 5/16 [132.9]
B	15 5/8 [39.7]	19 5/8 [49.8]
C	4 1/4 [10.8]	6 1/4 [15.9]



INDIVIDUAL FRYER SPECIFICATIONS						
Model	Frying Area	Cook Depth	Oil Capacity			
SG14 & 14R	14 x 14 in (35.6 x 35.6 cm)	3-1/4 - 5 in (8.3 -12.7 cm)	40 - 50 Lbs (18 - 23 kg)			
SG14T per side	7 x 14 in (17.7 x 35.6 cm)	3-1/4 - 5 in (8.3 -12.7 cm)	20 - 25 Lbs (9 -11 kg)			
SG18	18 x 18 in (45.7 x 45.7 cm)	3-1/4 - 5 in (8.3 -12.7 cm)	75 Lbs (34 kg)			
FRYER SHIPPING INFORMATION (Approximate)						
Model	Shipping Weight	Shipping Crate Size H x W x L	Shipping Cube			
SG14 & 14R	208 Lbs (95 kg)	59 x 23 x 44 in (149.8 x 58.4 x 111.7 cm)	34.6 ft <sup>3</sup> . (1.0m <sup>3</sup> )			
SG14T per side	230 Lbs (104 kg)	59 x 23 x 44 in (149.8 x 58.4 x 111.7 cm)	34.6 ft <sup>3</sup> . (1.0m <sup>3</sup> )			
SG18	226 Lbs (103 kg)	59 x 23 x 44 in (149.8 x 58.4 x 111.7 cm)	34.6 ft <sup>3</sup> . (1.0m <sup>3</sup> )			
INSTALLATION INFORMATION						
GAS SYSTEM REQUIREMENTS						
Gas Type	Store Supply Pressure *	Burner Manifold Pressure *	* Check plumbing / gas codes for proper gas supply line sizing to sustain burner pressure when all gas appliances are full on.			
Natural	7 - 10" w.c.(17.4 mbars/ 1.7 kPa)	4" w.c. (10 mbars / 1 kPa)				
Propane	11 - 13" w.c.(27.4 mbars/ 2.7 kPa)	10" w.c. (25mbars/2.4 kPa)				
CLEARANCES (Do Not Curb Mount)						
Front min.	Floor min.	Combustible material		Non-Combustible material		Fryer Flue Area Do not block / restrict flue gases from flowing into hood or install vent hood drains over the flue.
30" (76.2 cm)	6" (15.25 cm)	Sides min.	Rear min.	Sides min.	Rear min.	
		6" (15.2cm)	6" (15.2cm)	0"	0"	
SHORT FORM SPECIFICATION						
Provide Pitco Solstice Gas Model (SG xxx) tube fired high production gas floor fryer. Fryer shall be xx-xx lbs oil capacity, xxx Kbtu/hr, xx" by xx" fry area, stainless steel peened tank, stainless front, door, sides. Blower Free atmospheric burner system, with millivolt thermostat and thermo-safety pilot, separate gas shut off, 3/4" npt rear gas connect, recessed cabinet back, 1-1/4" Full port drain, 3/16" bottom hinge. Provide options and accessories as follows:						

