



Stainless design.
Stellar performance.
Superior value.

Project name: _____

Location: _____

Item #: _____ QTY: _____

Model #: _____

ADD48R-2 REFRIGERATOR

DIRECT DRAW KEG COOLER



ADD48R-2

- ▶ Tested to NSF Standard 7 requirements for open food storage.
- ▶ Standard with full two years parts and labor warranties and a five year compressor warranty.
- ▶ Arctic Air products must pass numerous quality control inspections throughout the manufacturing process.
- ▶ All products are pressurized with environmentally friendly and more efficient Hydrocarbon gas.



COMMERCIAL FREEZERS & REFRIGERATORS

Division of Broich Enterprises, Inc. 7550 Market Place Dr Eden Prairie, MN 55344
952-941-2270 Fax: 952-941-3066 www.arcticairco.com info@arcticairco.com



ADD48R-2

REFRIGERATOR

DIRECT DRAW KEG COOLER

Standard with two towers and two faucets per tower.

Standard with interior top ventilated s/s duct to allow for even temperature across all doors.

Interior ventilated air duct becomes a convenient "chaseway" for "cool air" vent tubes which are directed up each beer tower to properly chill them.

Top is 1.5" thick solid foamed stainless steel.

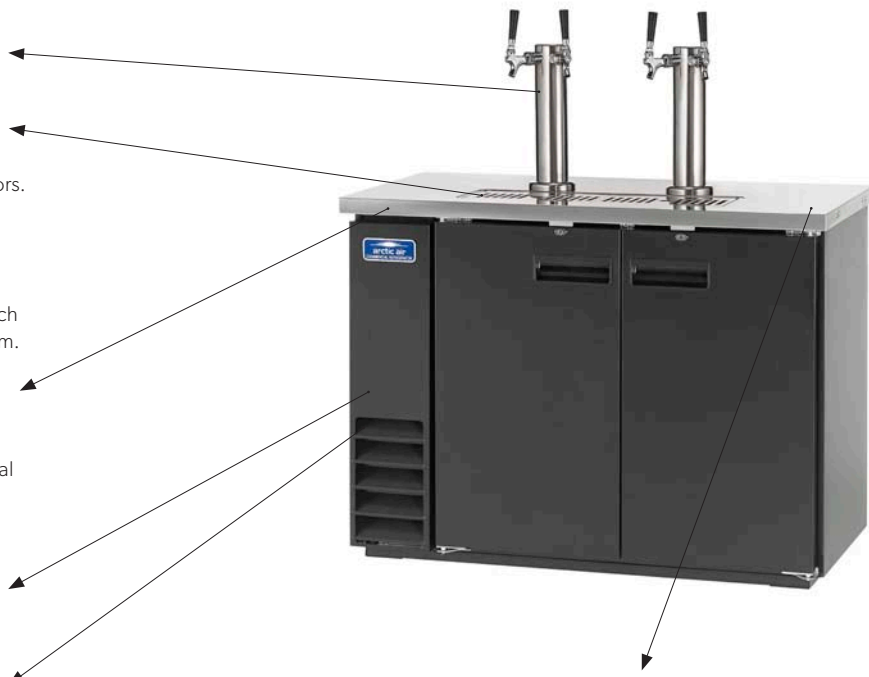
Electronic thermostat with digital LED display for accurate control located behind front access panel.

Exterior cabinet construction consists of black power coated steel front and sides.

Front accessible condensing unit for easy cleaning and maintenance.

Reinforced stainless steel threshold and floor.

External drain mount.



Easy to mount 3.25" casters (two lockable) are standard with all units.

Mounted 4-way air distributor, located on back wall, top left.

Interior LED lighting.

24" depth conserves important work space.

Each door is equipped with locks and magnetic gaskets that are removable for cleaning.

Bright stainless steel interior.

▶ Tested to NSF Standard 7 requirements for open food storage.

▶ Standard with full two years parts and labor warranties and a five year compressor warranty.

STAINLESS STEEL DESIGN • STELLAR PERFORMANCE • SUPERIOR VALUE

Model Number	External Dimensions			Doors	Temperature Range	Cord Length	Cubic Feet	HP	AMPS	REF	NEMA Plug	Crate Weight
	Width	Depth	Height*									
ADD48R-2	49.125"	24"	40"	2	33°F to 41°F	8'	12.5	2/5	3	R290	5-15P	230lbs

*Height includes 3.25" for casters

