



VALYR™

BY STRATA GPO

Project Name: _____

Location: _____

Item #: _____ Qty: _____

Model: _____

REFRIGERATED GLASS DOOR MERCHANDISERS

- MODEL: VALRFS-1D-B VALRFS-2D-B VALRFS-2DS-B
 VALRFS-1D-W VALRFS-2D-W VALRFS-2DS-W



VALRFS-1D-B / VALRFS-1D-W



VALRFS-2D-B / VALRFS-2D-W
Sliding Door Models



VALRFS-2DS-B / VALRFS-2DS-W
Swing Door Models

Valyr Glass Door Merchandiser Refrigerators are a great way to display cold drinks, food and any other grab n' go items that are sold in your establishment. These units are perfect for convenience stores, delis, markets and so much more. With their anti-fogging glass and illuminated interior, the products inside will always be highly visible to your shoppers. The self closing door ensures the internal temperature stays at the desired temperature no matter how many times they are being opened. These units come standard with plastic coated steel shelves that are easily adjustable and a front mounted LED temperature display.

FEATURES AND CONSTRUCTION

- Coated steel exterior
- Painted aluminum interior with stainless steel floor
- Foamed-in-place polyurethane high density cell insulation throughout the entire cabinet
- Environmentally friendly R290A refrigerant
- Illuminated bright interior lights for greater visibility
- Positive self-closing doors with microswitch that shuts evaporator fans off when doors are open
- Removable door gasket for easy cleaning
- Front LED temperature display
- Automatic defrost
- Four (4) epoxy coated corrosion resistant shelves per door with 90 lb load capacity per shelf
- 7' power cord with NEMA 5-15 plug included

3RD PARTY APPROVALS



VALYR WARRANTY (USA)

These units are backed by a 2 year warranty on parts & labor and a 5 year warranty on the compressor. For warranty, non-warranty related issues, and technical support, call NSA at 877.672.7740.

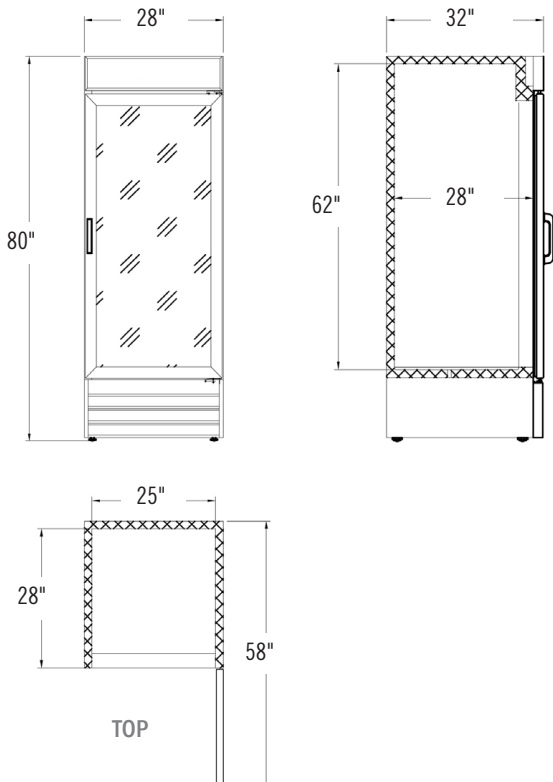
TEMPERATURE

Holding temperature 32°F to 41°F (0°C to 5°C)

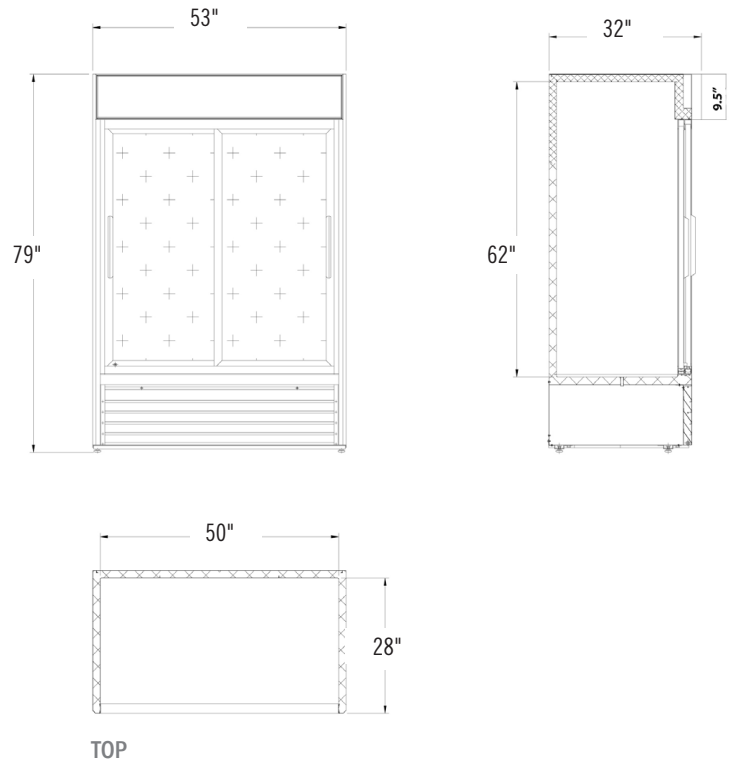
- Oversized refrigeration system delivers optimum storage temperature and rapid temperature recovery



VALRFS-1D



VALRFS-2D



MODEL	VALRFS-1D-B	VALRFS-1D-W	VALRFS-2D-B	VALRFS-2D-W	VALRFS-2DS-B	VALRFS-2DS-W
Color	Black	White	Black	White	Black	White
Doors	1	1	2	2	2	2
Volume (Cu. Ft.)	24 Cu. Ft.	24 Cu. Ft.	47 Cu. Ft.	47 Cu. Ft.	27 Cu. Ft.	27 Cu. Ft.
Shelves	4	4	8	8	8	8
Overall Dimensions W x D x H (in)	28" x 32" x 80"	28" x 32" x 80"	53" x 32" x 80"	53" x 32" x 80"	48" x 32" x 80"	48" x 32" x 80"
Interior Dimensions W x D x H (in)	25" x 28" x 63"	25" x 28" x 63"	50" x 28" x 63"	50" x 28" x 63"	43" x 19" x 55"	43" x 19" x 55"
Refrigerant	R290A	R290A	R290A	R290A	R290A	R290A
Horsepower	1/5	1/5	1/4	1/4	1/4	1/4
Voltage / Hertz / Phase	115 / 60 / 1	115 / 60 / 1	115 / 60 / 1	115 / 60 / 1	115 / 60 / 1	115 / 60 / 1
Amps	3	3	4.5	4.5	4.8	4.8
Net Weight (lbs)	293 lbs	293 lbs	485 lbs	485 lbs	536 lbs	536 lbs
Shipping Weight (lbs)	337 lbs	337 lbs	529 lbs	529 lbs	580 lbs	580 lbs
Shipping Dimensions (in)	30" x 35" x 85"	30" x 35" x 85"	54" x 33" x 84"	54" x 33" x 84"	50" x 29" x 87"	50" x 29" x 87"