



**“WE MAKE THE KITCHEN BETTER!”**

**Toll Free: 855-855-0399 Email: info@atosausa.com**  
www.atosa.com | www.atosausa.com  
California, Colorado, Florida, Georgia, Illinois,  
Massachusetts, New Jersey, Ohio, Texas, Washington

**MODELS:**

**YR140-AP-161**

# 140 lb. Ice Machine

## Standard Features

- Up to 142 lb. production ice machine (per 24 hrs)
- Built-in storage capacity of 88 lbs.
- Durable stainless steel exterior
- Slanted black plastic bin door
- Ice scoop included
- Height includes leg levelers
- Air cooled condenser
- For freestanding or built-in applications
- Requires use of a drain
- NSF listed
- Removable air filter
- Power switch accessible without panel removal
- Ice machine includes a 3M water filter system Model #ICE120-S



All Atosa Ice machines should have the included 3M water filter system & cartridge installed. Recommended 3M cartridge replacement is recommended every 6 months. *(may vary based on water quality)*

**Maintenance and cleaning are not covered under warranty**

Half-diced cube



Inlet hose



Drain hose



Ice scooper



Dimension(inch)

3/8×7/8×7/8

1. Don't forget to leave the unit some room to breathe!
2. Please clean the condenser frequently to give the unit more fresh air.



2 YEAR PARTS AND LABOR WARRANTY (US ONLY)  
5 YEAR COMPRESSOR PART WARRANTY (US ONLY)



\*For confirmation and updates on the latest energy star models, please visit energystar.gov\*



**“WE MAKE THE KITCHEN BETTER!”**

Toll Free: 855-855-0399 Email: info@atosausa.com  
 www.atosa.com | www.atosausa.com  
 California, Colorado, Florida, Georgia, Illinois,  
 Massachusetts, New Jersey, Ohio, Texas, Washington

## SPECIFICATIONS

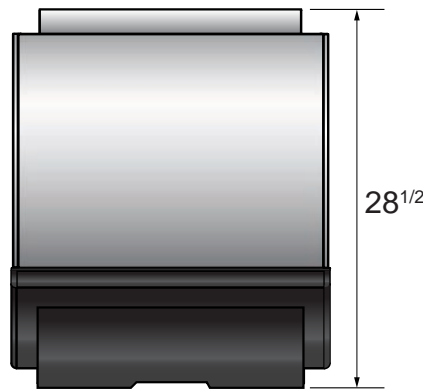
Model	Type	Refrigerant	Voltage (V/Hz/Ph)	Amps(A)	Watts(W)	kWh/100 lbs Ice	Ice-Making Capacity (lbs/hr)	Leg (inch)	Exterior Dimensions (inch)	Gross Weight (lbs)
YR140-AP-161	Cube ice	R290	115/60/1	3.1	363	6.13	142/24	6	23 <sup>1/2</sup> ×28 <sup>1/2</sup> ×38 <sup>3/5</sup>	176

## PLAN VIEW

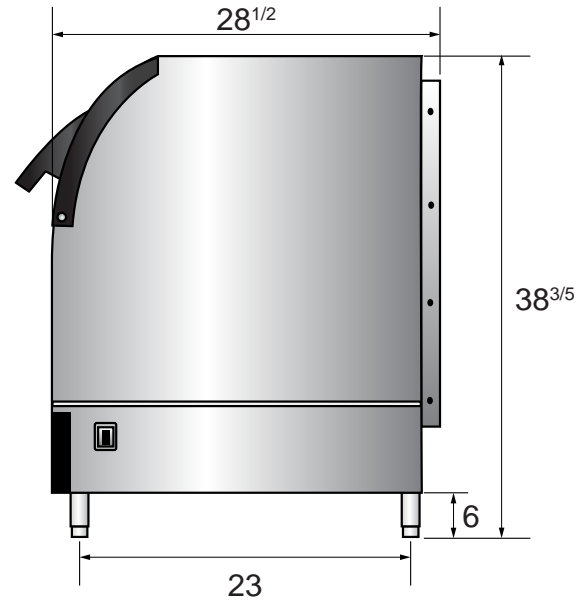
YR140-AP-161 Front View



YR140-AP-161 Top View



YR140-AP-161 Side View



### Ice machine comparison

Models	Type	Refrigerant	Voltage (V/Hz/Ph)	Amps(A)	Watts(W)	kWh/100 lbs Ice	Ice-Making Capacity (lbs/hr)	Leg (inch)	Exterior Dimensions (inch)	Gross Weight (lbs)
YR280-AP-161	Cube ice	R290	115/60/1	7.2	704	5.97	283/24	6	23 <sup>1/2</sup> ×28 <sup>1/2</sup> ×38 <sup>3/5</sup>	187
YR450-AP-161	Cube ice	R290	115/60/1	9.6	965	5.04	460/24	6	30 <sup>1/5</sup> ×24 <sup>9/20</sup> ×21 <sup>7/10</sup>	158
YR800-AP-261	Cube ice	R-404a	220/60/1	7.5	1750	5.18	810/24	6	30 <sup>1/5</sup> ×24 <sup>9/20</sup> ×31 <sup>7/10</sup>	231